

# QUICK 1

## TECHNICAL SPECIFICATIONS



**QUICK 1**

Capacity	1 x 310x310x138 mm
Dimensions (width x depth x height) (mm)	410 x 397 x 598
Maximum temperature (°C)	275
Weight (kg)	60
Electrical power (W)	3600 (UE) / 2900 (UK)
Voltage (V/Ph/Hz)	230 V/L+N/50-60

## GENERAL SPECIFICATIONS

### Construction

AISI 304 stainless steel cooking chamber and casing

### Convection

Temperature settings from 100°C to 275°C in steps of 1°C  
3D Impingement air distribution system

### Standard features

Accelerated Cooking Technology combines 2 heating technologies:

- 3D Impingement
- Convection

Ventless cooking. Catalyst technology removes the need for external extraction (OPTIONAL)

Cooking up to 10 times faster than a conventional oven

31 cm cavity in a 40 cm wide placement surface

Exterior cool to the touch

Removable cavity, easy to clean, with large rounded edges

Quiet operation

Easy-access air filter

Technical diagnostic test

Suitable for 600mm countertop

Stackable

### Electronic control system

LED display

Storage of up to 40 recipes with one phase per cooking program

Preheating, serving and cooling temperature indicators

8 quick access memories

### Accessories included

Flat cooking plate

Protected shovel with full-size support sidewalls

Solid base basket: full size

Non-stick coating for cook plate

## OPTIONS

Stainless steel exterior in different colors: beige, black or red

## ACCESSORIES

Flat cooking plate

Ribbed cooking plate

Solid base basket: full, half and quarter sizes

Mesh fry basket: full, half and quarter sizes

Protected shovel with support sidewalls. Full and half size

Catalytic filter

Handle/Gripper

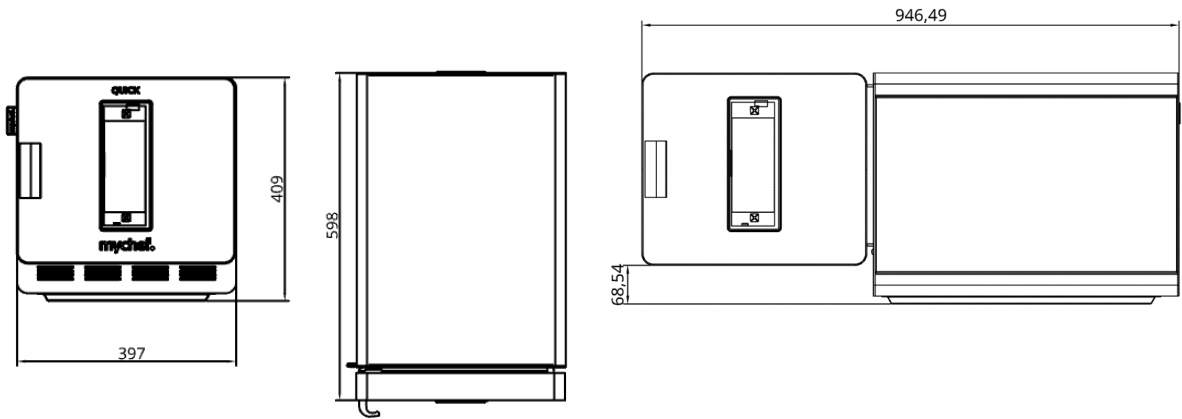
Spatula

Liquid oven detergent

Liquid preservation protection product

Other accessories on request

## INSTALLATION DETAILS



Model	Total dimensions			Weight
	Height	Width	Depth	
QUICK 1	410 mm	397 mm	598 mm	60 kg

## SAFETY DISTANCES

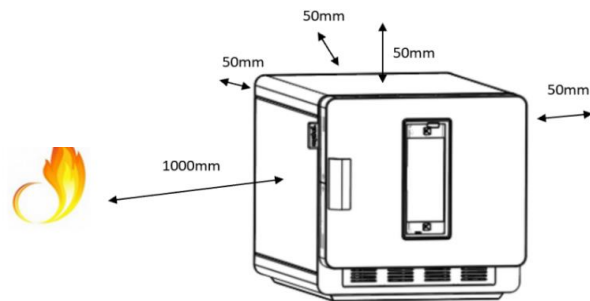
Sides = 50 mm

Rear = 50 mm

Upper = 500 mm

Heat sources = 1000 mm

It must be completely level



## ELECTRICAL SUPPLY

Country/Region	Power supply				Power output	
	Voltage	Electric power	Connection	Rated current	Input power	Convection heat
UE	230V/50-60 Hz	Single-phase	L + N + E	16 A	3600 W	3300 W
UK	230V/50-60 Hz	Single-phase	L + N + E	13 A	2900 W	2600 W