

Client \_\_\_\_\_ Quantity \_\_\_\_\_  
 Project \_\_\_\_\_ Position \_\_\_\_\_

## Levtronic EN60x40 counter 3 doors

**Model:** TS17/1FH-710

**Cod:** T30300000801



### Technical data

<b>Top:</b>	Without top
<b>Max capacity:</b>	21 trays EN60x40
<b>Gross capacity:</b>	607 lt
<b>Temperature range:</b>	-6°+40°C
<b>Ventilation range:</b>	25% - 100%
<b>Humidity range:</b>	45% - 95% with humidifier
<b>Humidifier:</b>	Incluso
<b>Refrigerant unit:</b>	Plug-In
<b>Climate class:</b>	5
<b>Cooling gas:</b>	R452A
<b>Defrost:</b>	Hot gas
<b>Body height:</b>	710 mm
<b>Valve:</b>	Supplied standard with solenoid
<b>Dimensions:</b>	2005×780×810 mm
<b>Packing dimensions:</b>	2100×900×990 mm
<b>Gross weight:</b>	160 Kg
<b>Voltage:</b>	220-240 V - 50 Hz
<b>Total rate:</b>	1500 W
<b>Absorbed Current:</b>	6,9 A
<b>Cooling capacity:</b>	565 W*
<b>*:</b>	Evap. -10°C Cond. +55°C

### Features

<b>Functions:</b>	Retarder prover, manual proving, continuous cycle and storage
<b>Standard equipment:</b>	12 slides EN60x40
<b>Control:</b>	4,3" touch screen display with USB port
<b>Doors:</b>	3 doors, self-closing, reversible with 105° stop
<b>Door gasket:</b>	Magnetic, triple chamber and easily replaceable
<b>Insulation:</b>	60 mm thickness - CFC/HCFC free
<b>Exterior/interior finishing:</b>	Exterior interior and back in AISI 304 stainless steel. Base in colaminated steel
<b>Inner corners:</b>	Rounded for easy cleaning and ensuring maximum hygiene
<b>Handle:</b>	Stainless steel AISI 304, 2 mm thick
<b>Racks and slides:</b>	Stainless steel AISI 304
<b>Feets:</b>	Stainless steel AISI 304, adjustable h 100-150 mm
<b>Cosmo:</b>	Wi-Fi remote control system

## Accessories and variants

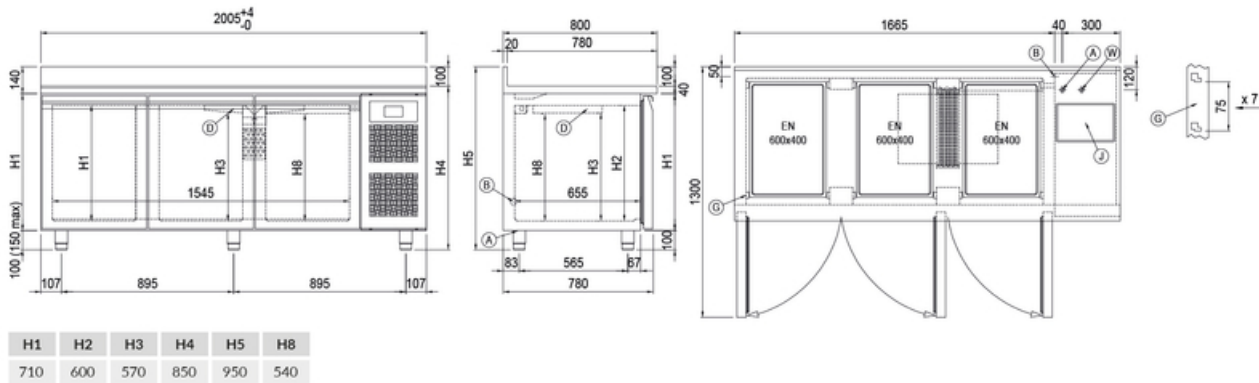
Stainless steel evaporator
Power supply frequency 60Hz
Other special voltage
Purity C Quell ST 50 filter cartridge
Aluminium coated backing-pan EN60x40 h 20 mm
Stainless steel shelf EN60x40
Plastic coated shelf EN60x40
Pair of type L slides 605 mm
Serial interface, RS485 cable
IP44 schuko socket with cover
Removable plinth EN 3D h 50 mm
Removable plinth EN 3D h 100 mm
Removable plinth EN 4D h 150 mm

## COSMO - wi-fi control

Cosmo is the wi-fi technology that allow to connect, update and monitor with a smartphone the LEVTRONIC retarder prover devices. VISION is also a Cosmo hub and allow remote supervision of the Coldline devices connected to it. From the app you can check the operating conditions of each machine and receive alerts in the event of abnormal operation.

\*The installation requires a kit for the replacement of the racks

## Technical draw



- A:** Power supply cable outlet      **B:** Condensation water drain      **D:** Airflow conveyor
- G:** Racks pitch      **J:** Automatic evaporation of condensing water      **W:** Water mains connection for humidifier - 3/4" female. Unloading not required