

TECHNICAL DATA

Weight:	450 kg
Grill rack dimensions:	930 x 680 mm
Top rack dimensions:	1.022 x 374 mm
Grill rack hub:	338mm (Grill rack at 25°) 390mm (Grill rack at 0°)
Grill rack inclinations:	0°; 6,25°; 12,5°; 18,75°; 25°
Fire pit material:	Refractory bricks

STANDARD EQUIPMENT

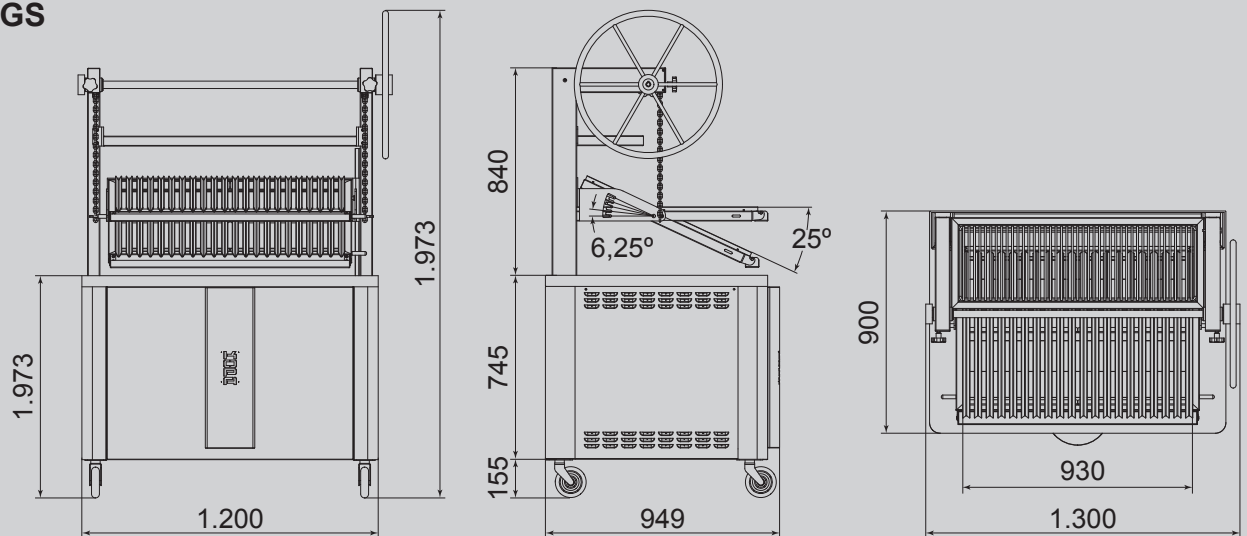
V-groove Rack insert - 2x
Upper Grill - 1x
Kopa poker
Kopa ash shovel
Kopa Tong

OPTIONAL EQUIPMENT

V-Groove insert:	465 x 680 mm
Grill Mesh	565 x 320 mm



TECHNICAL DRAWINGS



Available in these colors:



Red



Black