

Client \_\_\_\_\_ Quantity \_\_\_\_\_  
Project \_\_\_\_\_ Position \_\_\_\_\_

## Modi Active Blast Chiller

Model: W5A

Cod: W11036000001



### Technical data

<b>Top:</b>	Thickness 4 cm. Reinforced in order to place an oven
<b>Gross capacity:</b>	134 lt
<b>Temperature range:</b>	-40°+65°C
<b>Refrigerant unit:</b>	Plug-In
<b>Yield +90 / +3:</b>	22 Kg
<b>Yield +90 / -18:</b>	17 Kg
<b>Climate class:</b>	5
<b>Cooling gas:</b>	R452A
<b>Defrost:</b>	Hot gas
<b>Valve:</b>	Electronic expansion valve
<b>Dimensions:</b>	780×800×853 mm
<b>Packing dimensions:</b>	810×760×895 mm
<b>Gross weight:</b>	115 Kg
<b>Voltage:</b>	220-240 V - 50 Hz
<b>Total rate:</b>	1430 W
<b>Absorbed Current:</b>	6,91 A
<b>Cooling capacity:</b>	1565 W*
<b>*:</b>	Evap. -10°C Cond. +45°C

### Features

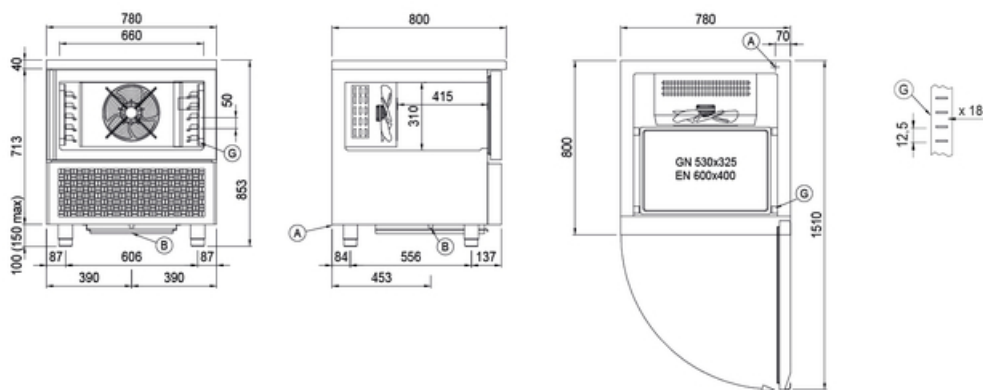
<b>Functions:</b>	Blast chilling, shock freezing, thawing, proving, holding, desiccation, chocolate, manual cycle
<b>Standard equipment:</b>	5 slides GN1/1, EN60x40
<b>Control:</b>	4,3" touch screen display with USB port
<b>Doors:</b>	Cushioned, with anti-odor system
<b>Door gasket:</b>	Magnetic, triple chamber and easily replaceable
<b>Core probe:</b>	Needle probe with 1 reading point, quick-release and easily replaceable
<b>Insulation:</b>	60 mm thickness - CFC/HCFC free
<b>Exterior/interior finishing:</b>	Exterior and interior AISI 304 stainless steel.
<b>Inner corners:</b>	Rounded for easy cleaning and ensuring maximum hygiene
<b>Handle:</b>	Stainless steel AISI 304, 2 mm thick
<b>Racks and slides:</b>	Stainless steel AISI 304, quick release
<b>Feets:</b>	Stainless steel AISI 304, adjustable h 100-150 mm

**COSMO - wi-fi control**

Cosmo is the innovative wi-fi technology that allows you to constantly connect and monitor from your smartphone the MODI blast chiller. MODI can also be a Cosmo hub and allow remote supervision of all Coldline devices connected to it. From the Cosmo app you can check the operating conditions of each machine in real time and receive alerts in the event of abnormal operation. Cosmo constantly compares the performance of the device with the ideal ones and, in case of significant differences, suggests the necessary maintenance. The MODI software can receive periodic updates released, with the latest features developed.



**Technical draw**



**A:** Power supply cable outlet  
**G:** Racks pitch

**B:** Condensation water drain

In order to constantly offer the best possible products we reserve the right to make changes on technical specifications without incurring any obligation for equipment previously or subsequently sold.